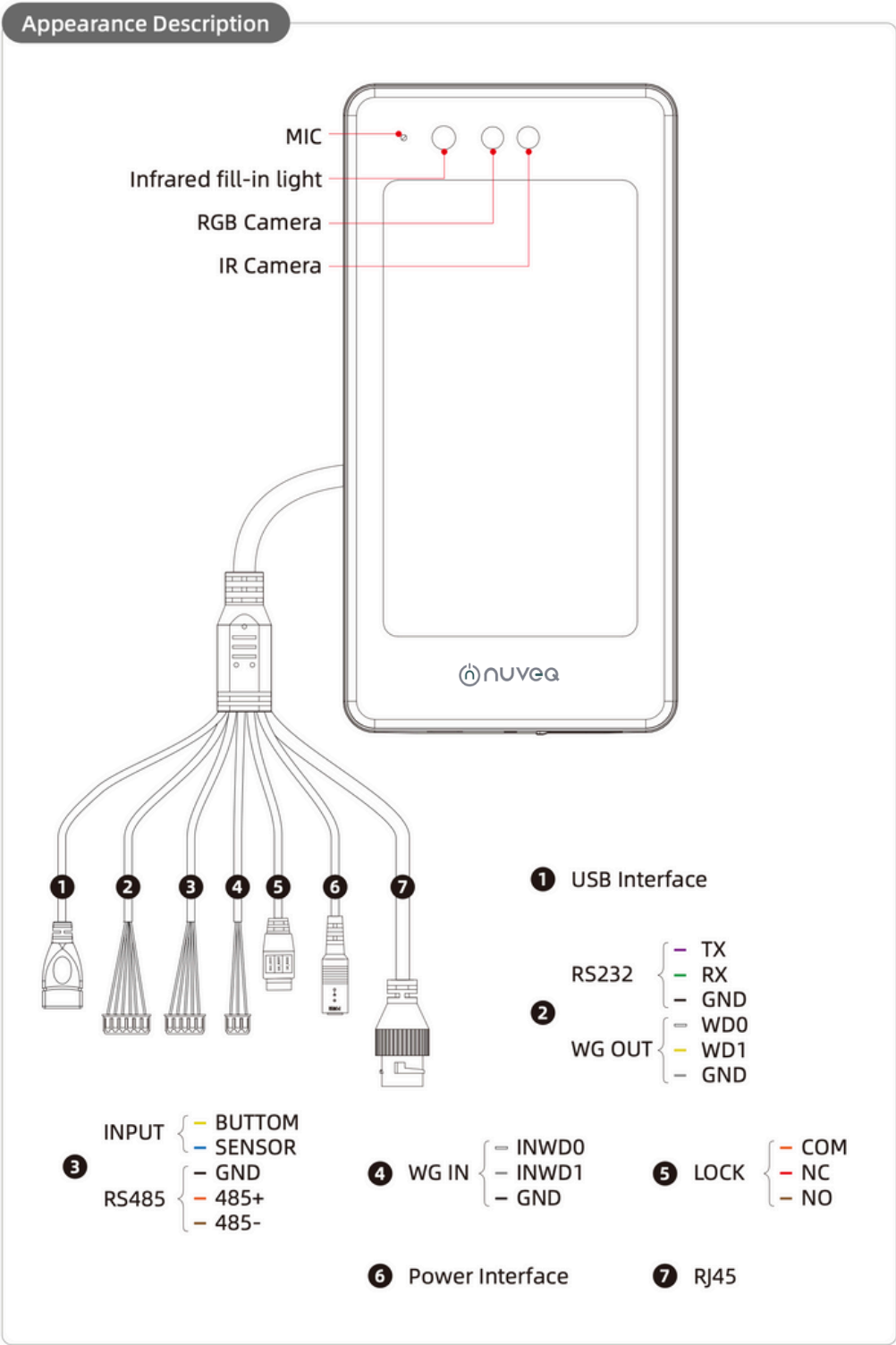


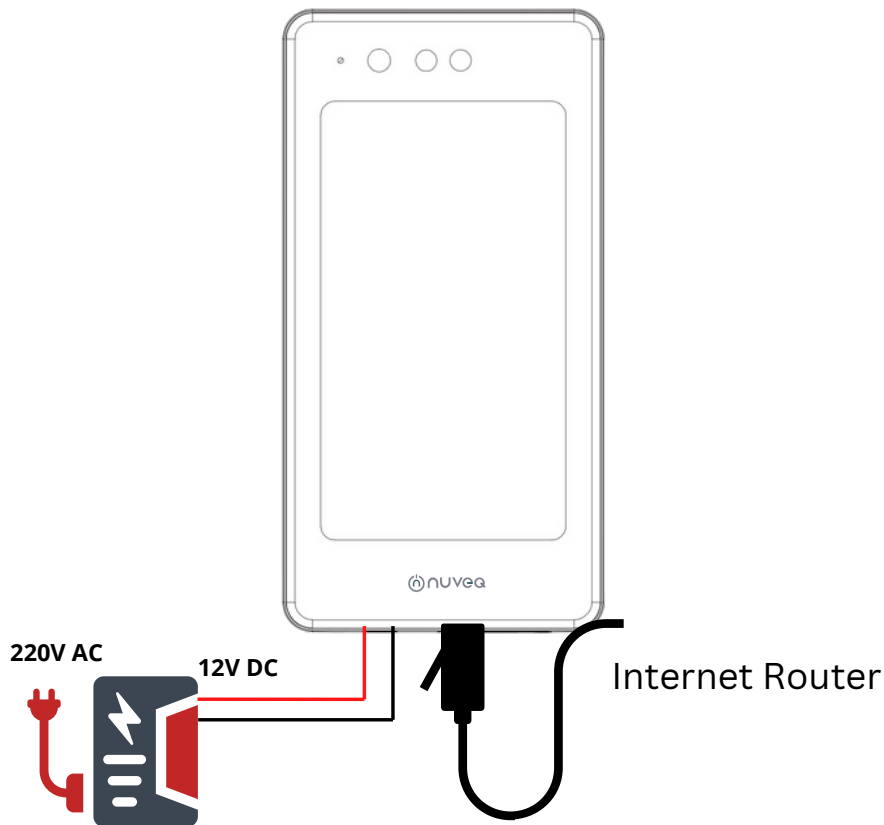
FACE RECOGNITION READER

EP-FR701



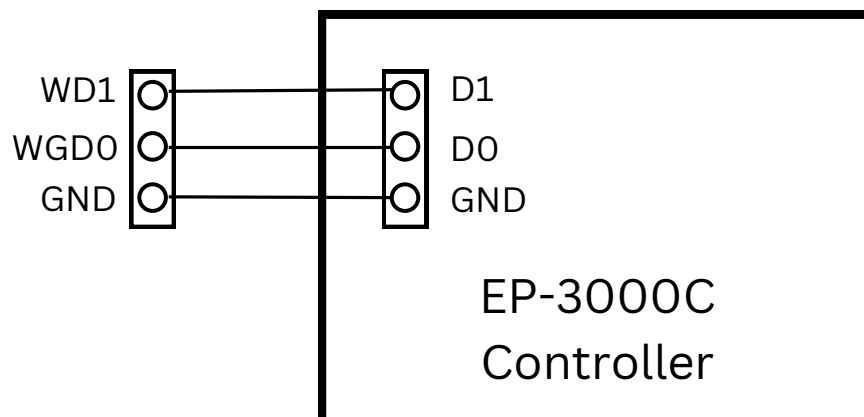
FACE RECOGNITION READER

EP-FR701



Configure as Reader

2. Weigand Output

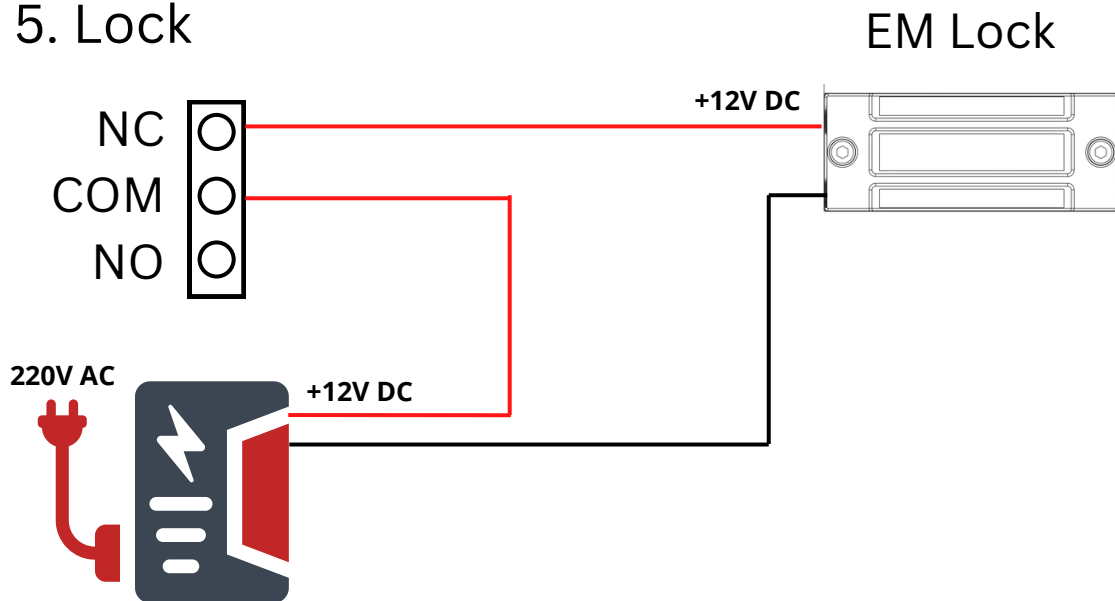


FACE RECOGNITION READER

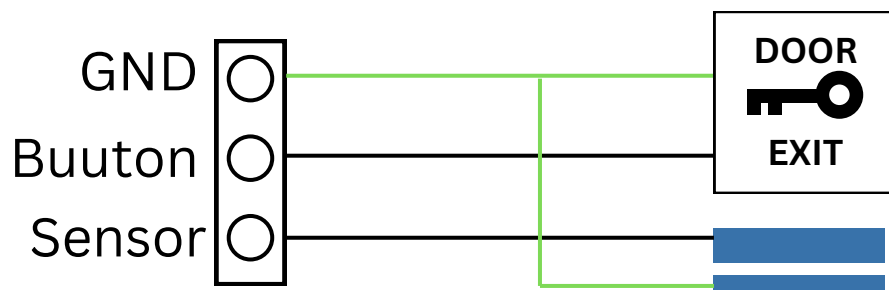
EP-FR701

Configure as Controller

5. Lock



3. Input



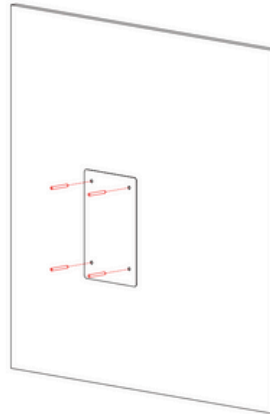
FACE RECOGNITION READER

EP-FR701

Installation Steps

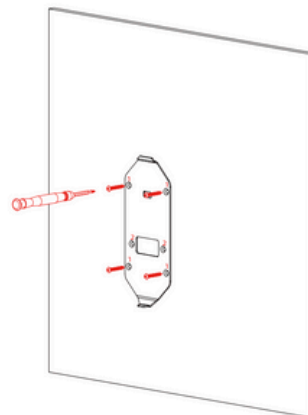
1

During wall installation, holes shall be drilled according to the hole position of the installation sticker, and the wall mounting shall be embedded in the hole



2

For wall mounting, use self tapping screws to fix the bracket on the wall (use hole 1);
When mounting with the 86 box, the bracket is fixed on the 86 box with machine screws (use hole 2);



3

Fasten the device to the wall mounting bracket, and use the wrench to tighten the bottom set screw

