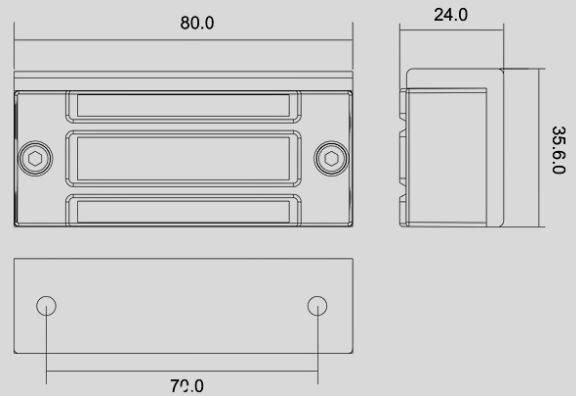
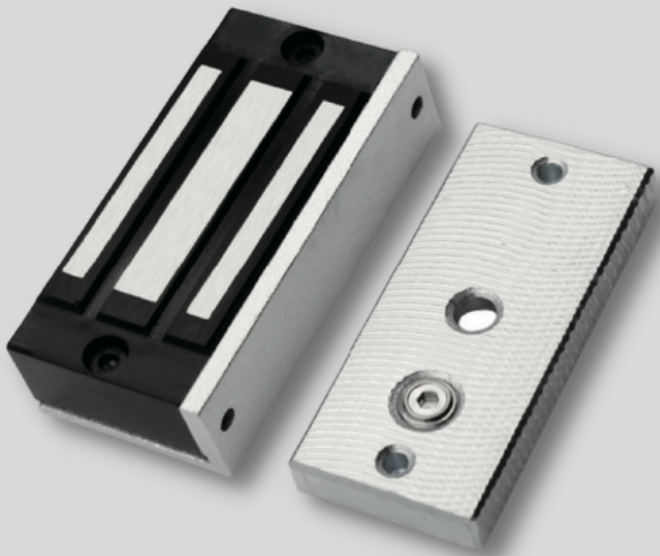


# ELECTRO MAGNETIC LOCK

## EML-120



## FEATURES

Mini single door electric lock,  
It is Designed for showcase, Cabinet door and easy  
to install The holding force is 120lbs.

## SPECIFICATIONS

Model: EML-120  
Voltage Input: 12 VDC  
Current Draw: 130mA /12VDC  
Holding force: Up to 120lbs(60 kg)  
Dimension: 80(L) x 35.6(W) x 24mm(H)  
Weight: 0.53kg