

12VDC, 5A UNINTERRUPTIBLE PSU

EP-PS12-5AP

DESCRIPTION & FEATURES

EP-PS12-5AP IS A UPS POWER SUPPLY, ITS MAIN OUTPUT IS 13.8V / 5A, WHILE IT ALSO PROVIDES EXTRA MAXIMUM 650MA CHARGE CURRENT. THE PSU IS DESIGNED BASED ON 50W LEVEL. IT COULD BE USED FOR CCTV SURVEILLANCE / ACCESS CONTROL / FIRE ALARM AND OTHER SECURITY SYSTEMS.

FEATURES

- HIGHEFFICIENCYUPTO88%,LONGLIFEANDHIGHRELIABILITY
- PROTECTIONS:OVERLOAD/OVERVOLTAGE/SHORTCIRCUIT/BATTERY DEEPPDISCHARGE
- MULTIFUNCTION LED INDICATORS
- ADDITIONAL CHARGE CURRENT, NO DELAY BATTERY BOOTS UP
- PATENTED DESIGN, WALLMOUNT INSTALLATION
- OPTIONAL MODULES TO EXTEND THE USAGES

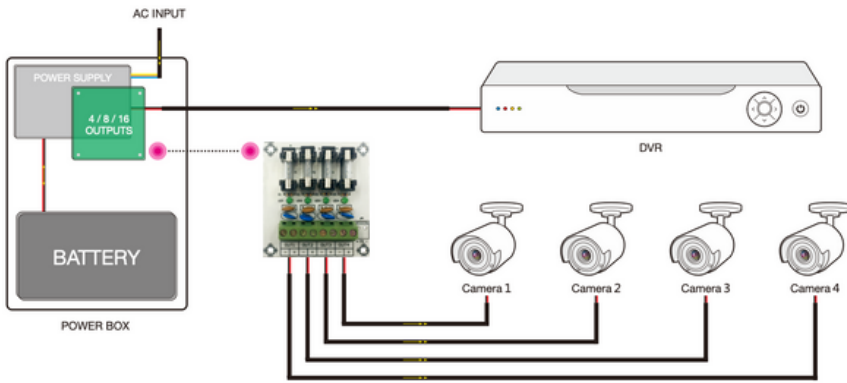
NUVEQ.NET

CLOUD-BASED ACCESS CONTROL SYSTEM | MOBILE ACCESS

SPECIFICATION & DIMENSION

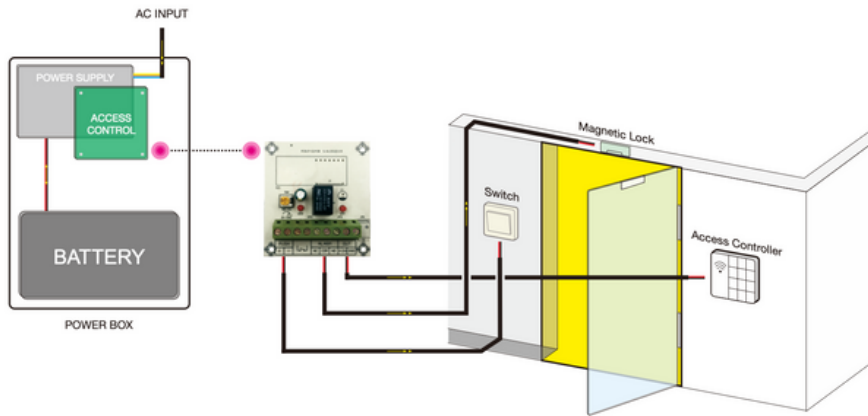
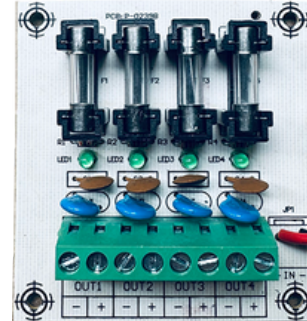
| | | | |
|---|------------------------|--|--------------------------|
| INPUT | Voltage Range | 190 - 265VAC | |
| | Frequency Range | 50 - 60Hz | |
| OUTPUT | Voltage (DC Supplies) | 13.8V | |
| | Voltage (BT Supplies) | Same as battery voltage | |
| | Rated Current | 5A | |
| | Rated Power (Max) | 50W (with charging) | |
| | Line Regulation | ±2% | |
| | Load Regulation | ±2% | |
| | Output Channel | 1 Channel | |
| CHARGING | Voltage | 13.8V | |
| | Current | 650mA (max.) | |
| PROTECTION | Overload | 3.45A ±5% | |
| | | Hiccup, recovers automatically after fault condition is removed. | |
| | Over Voltage | 16V ±5% | |
| | | Hiccup, recovers automatically after fault condition is removed. | |
| | Short Circuit | Hiccup, recovers automatically after fault condition is removed. | |
| | Battery Deep Discharge | 10V ±2% | |
| PSU shuts down until AC power recovers. | | | |
| Battery Reverse Connect | Battery does not work. | | |
| ENVIRONMENT | Temperature | Working: -20 - 50°C | Storage: -30 - 80°C |
| | Humidity | Working: 20 - 80%RH | Storage: 10 - 90%RH |
| LED INDICATOR | AC Power (Red) | On | AC power supplies |
| | Battery (Yellow) | On | Battery is fully charged |
| | | Off | Battery is discharging |
| | | Flickering | Battery is charging |
| DC Output (Green) | On | DC output supplies | |
| SAFETY & EMC | EMC Standards | EN 55032, EN 55035, EN 61000-3-2, EN 61000-3-3 | |
| | LVD Standards | EN 62368 | |
| DIMENSION | ABS Box | 228 x 195 x 78mm | |

OPTIONAL MODULES



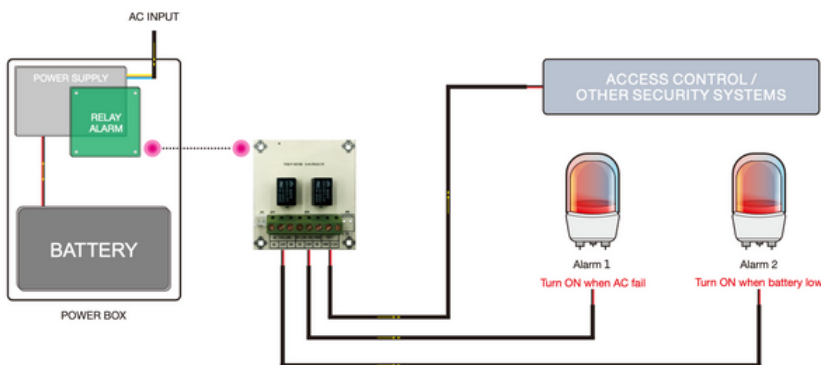
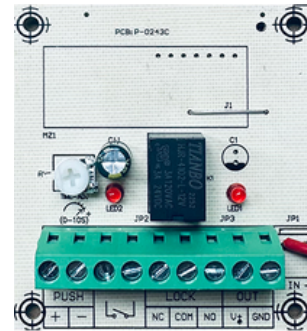
4 CHANNEL CCTV MODULE

- 4 SEPARATED FUSED OUTPUTS
- LED INDICATOR FOR EACH OUTPUT



ACCESS CONTROL

- NC/NO/COM POWER OUTPUT
- TWO KINDS OF TRIGGER SIGNAL
- 0-10S ADJUSTABLE TIMER



RELAY ALARM

- NC/NO/COM SIGNAL OUTPUT
- AC FAILURE ALARM
- BATTERY VOLTAGE LOW ALARM

