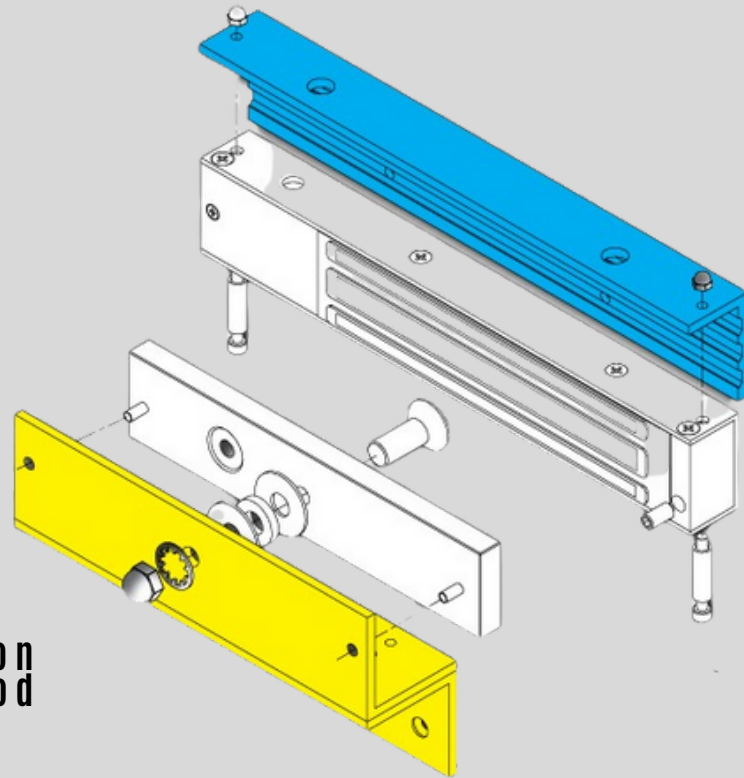


EML600-ZL/EML1200-ZL BRACKET



Installation
method

SPECIFICATIONS

