

TRIPOD TURNSTILE

EP-TP301N



The NUVEQ EP-TP301N tripod turnstile stands out as the most cost-effective option among all types of turnstiles. Its slim and delicate design (360 x 260 x 980mm) is specifically engineered to save space. The top is adorned with high-quality black tempered glass that showcases an attractive and impressive character.

Its full stainless-steel body is encircled with a dazzling decorative LED light bar that brings out a unique and aesthetic sense. It is a versatile option that can be used in both indoor and outdoor settings. Additionally, the horizontal arms of the tripod turnstile will automatically drop down in case of an emergency or power failure, allowing for free passage.

[NUVEQ.NET](https://www.nuveq.net)

CLOUD-BASED ACCESS CONTROL SYSTEM | MOBILE ACCESS

FEATURES

- Long-life performance, high operation dependability and fast response.
- The whole system runs smoothly, low noise, no mechanical impact.
- Single directional or Bi-directional is selectable.
- Only one person can pass at one time, to prevent the illegal following
- Automatic reset function: turnstile arm will lock automatically within 5s (can be setting) if passenger delay to entry.
- When power is off, arms will drop down automatically, which is complying with fire safety requirements.
- LED indicator (red means no entry; green means entry; blue means normal close).
- It has standard relay signal, which can be integrated with any kind of third-party access control system (e.g.: RFID, Fingerprint and Biometric reader device).
- It is suitable for areas with general pedestrian traffic (e.g.: Hotel, Gym, Building, Shopping mall, Reception Area and so on).



LED Indicator

The full stainless-steel body is surrounded with dazzling decorative LED light bar which bring out an aesthetic and distinctive sense. The color of light bar represent state of gate, green color means people entry and blue color means normal close.



High End Tempered Glass

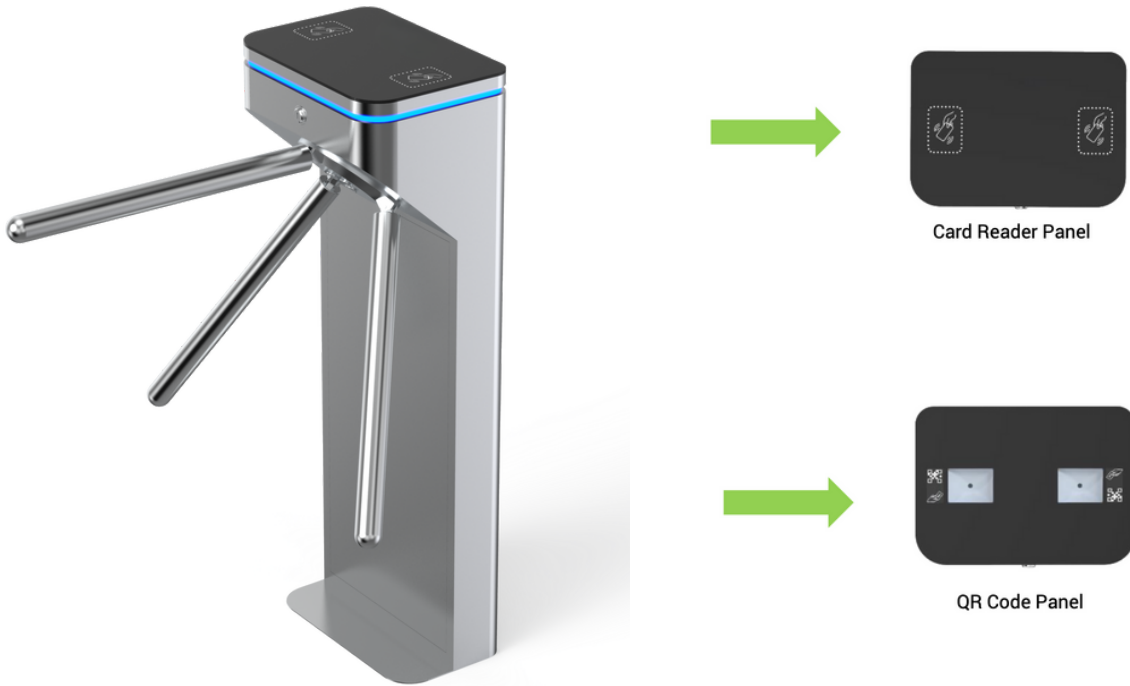
At the top, it's covered by a high black tempered glass, show up an attractive and impressive character.



Weld Robot & Mould Production

Superior production: integrated mold production to ensure the high quality guaranteed. Welding: adopt robot for weld to improve the high technological level.

FULL ACCESS CONTROL SYSTEM

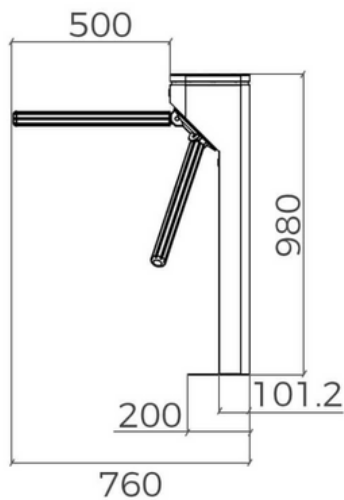


Tripod turnstile is the simple type, with the lowest price in all type turnstiles. The most obvious feature is the slim and delicate design (360*260*980mm) to save space occupation. Exquisite and beauty is the most attractive feature in the first look.

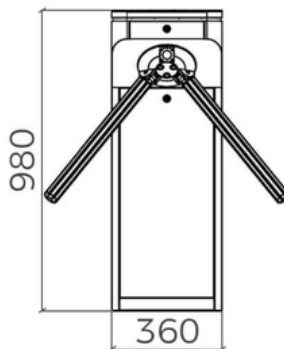


SPECIFICATIONS

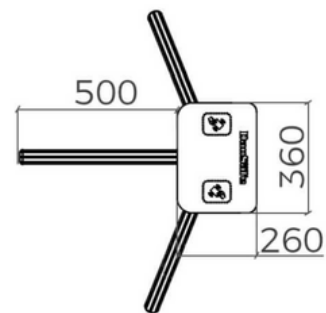
MODEL NO:	EP-TP301N
Framework Material:	304 brushed stainless steel+ High end black tempered film glass
Arm material:	304 stainless steel (rubber protector is optional)
Dimension:	360 *260 * 980mm
Net Weight:	35kg/pcs
Passage Width:	550mm (Arm length: 500mm)
Passing Direction :	Single directional / Bi-directional
MCBF:	10 Million
Power Supply:	AC220V/110V, 50/60Hz
Power Consumption:	20W
Operation Temperature:	-20°C ~ 70°C
Operation Humidity:	0 ~ 95% (No freeze)
Working Environment:	Indoor / Outdoor (shelter)
Flow Rate:	40 people per minute
LED Indicator:	Unique blue LED strip (front+ top+side)
Emergency:	Automatic arm open when power off
Communication:	Dry contact, Relay signal, RS485



[Front view]



[Side view]



[Top view]